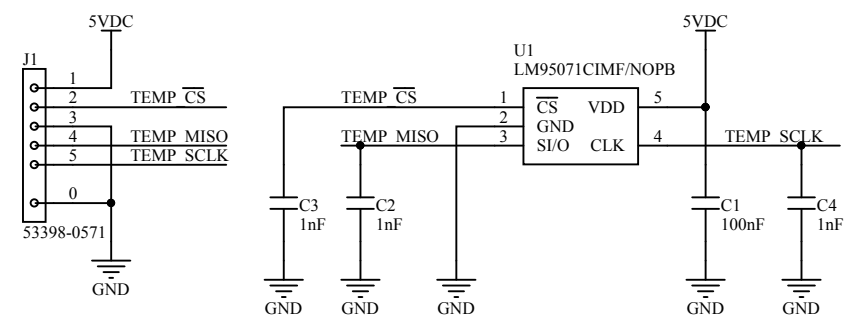
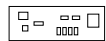


Schematic Contents

Sheet 1 - Top



PCB Line Item in BOM
V028648



Design Specific Assy Labor
V028649

DRAWN BY	Bill Sackett	
DATE	2015-07-21	
RELATED DOCUMENTS		
PCB	V028648	RF_Amplifier Temp_Sensor
BOM	V028646	
PROPRIETARY	SIZE S	DRAWING_REVISION V028647_03
		SHEET 1 OF 1