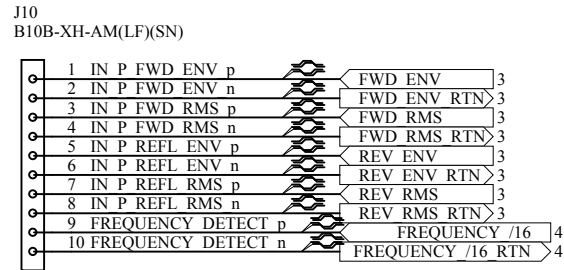
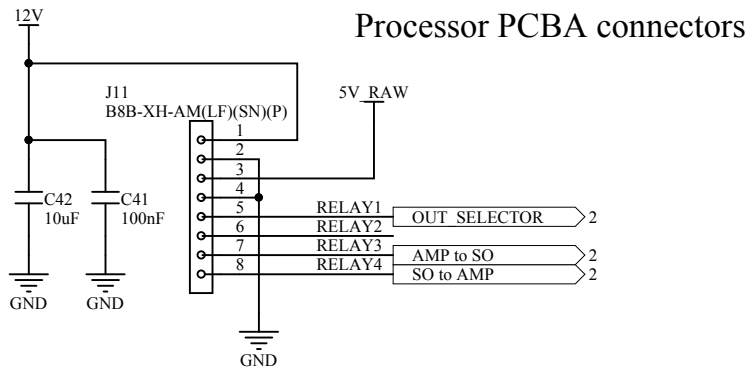
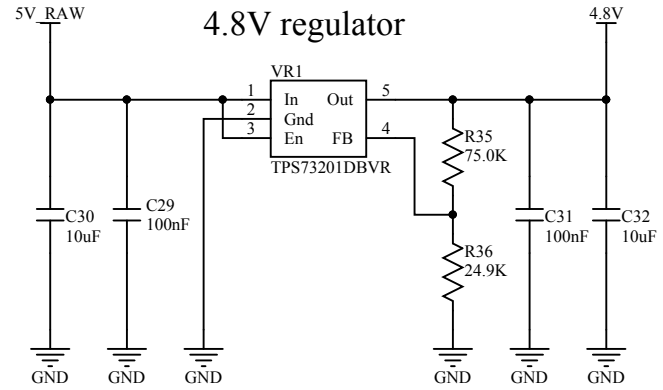


### Schematic Contents

- Sheet 1 - Title Page (TOP)
- Sheet 2 - Switching
- Sheet 3 - Power Detect
- Sheet 4 - Frequency Detect

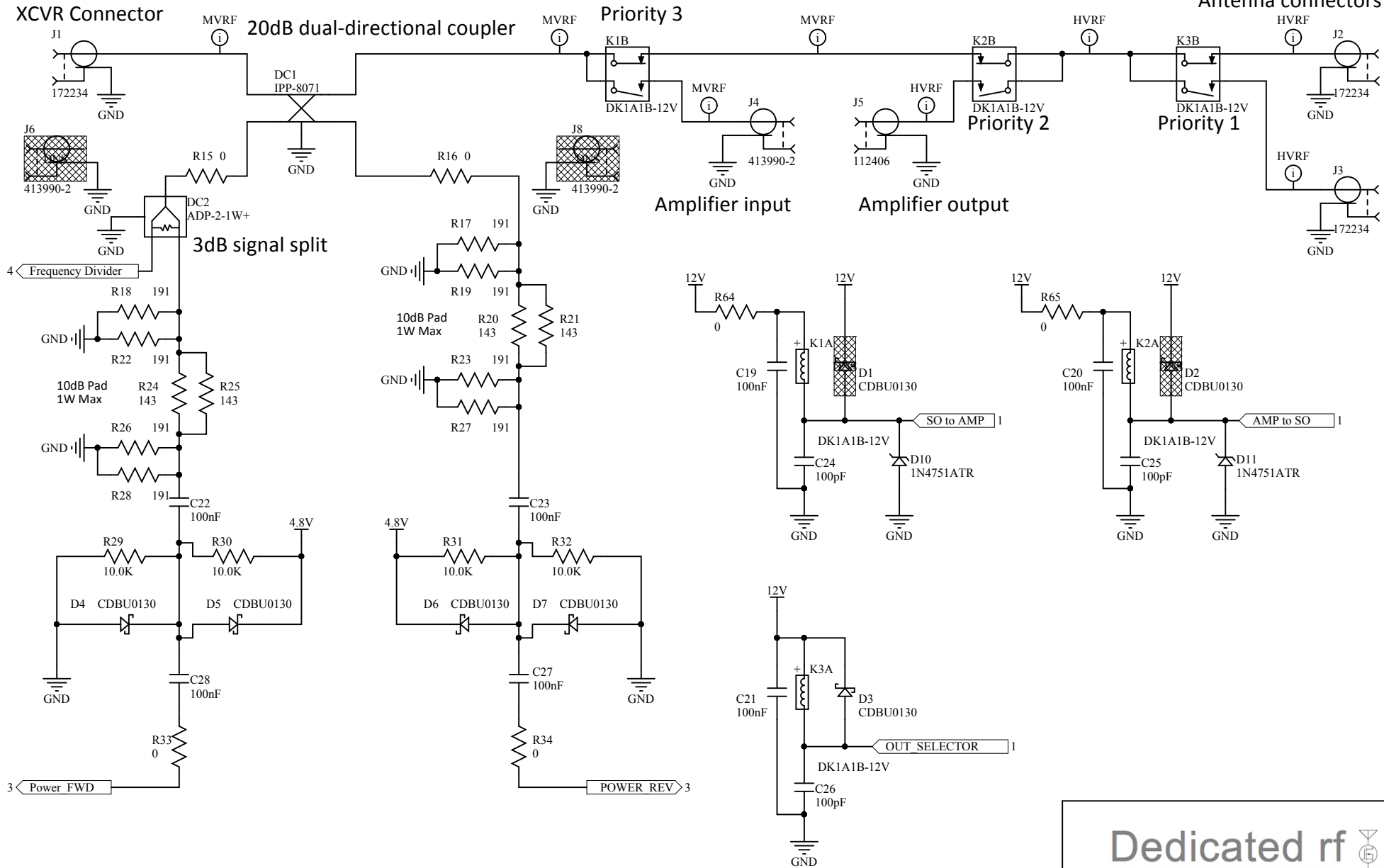


PCB Line Item in BOM  
V028296\_03

RF RX/TX Assembly Labor  
V028297

DRAWN BY	Bill Sackett		
DATE	2015-07-21		
RELATED DOCUMENTS			
PCB	V028296	<b>TITLE</b> RF_Amplifier RX/TX_Switch	
BOM	V028294		
<b>PROPRIETARY</b>	SIZE S	DRAWING REVISION V028295_03	SHEET 1 OF 4

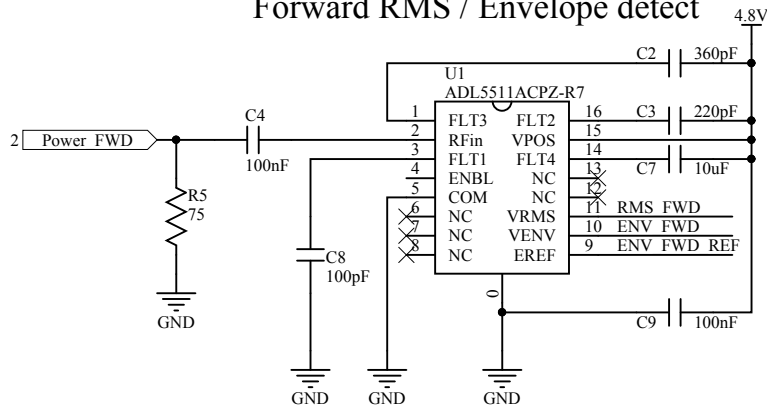
Switching



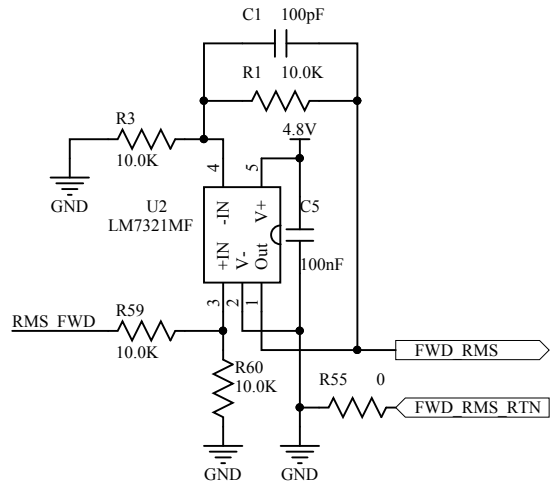
TITLE		
RF_Amplifier RX/TX_Switch		
SIZE S	DRAWING REVISION V028295_03	SHEET 2 OF 4

Power Detect

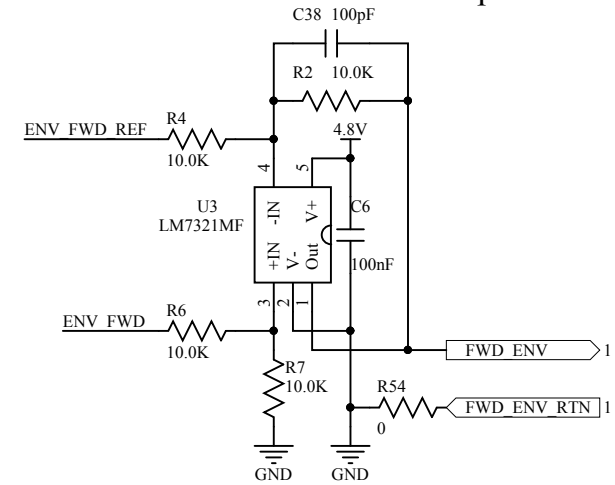
Forward RMS / Envelope detect



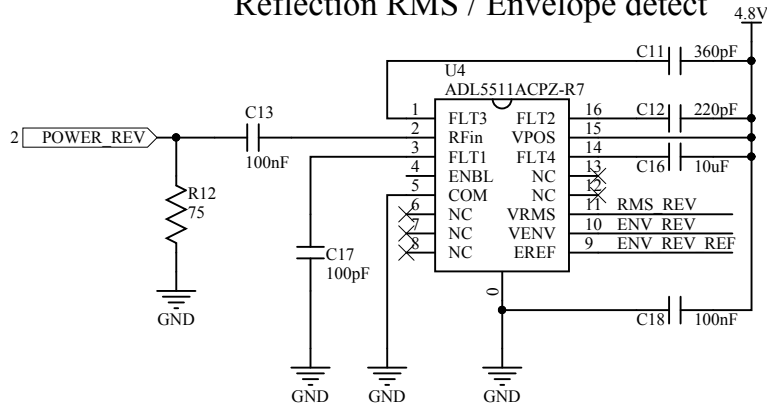
Forward RMS



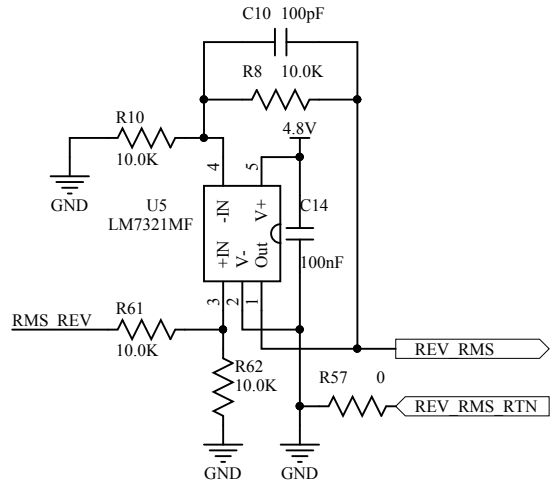
Forward Envelope



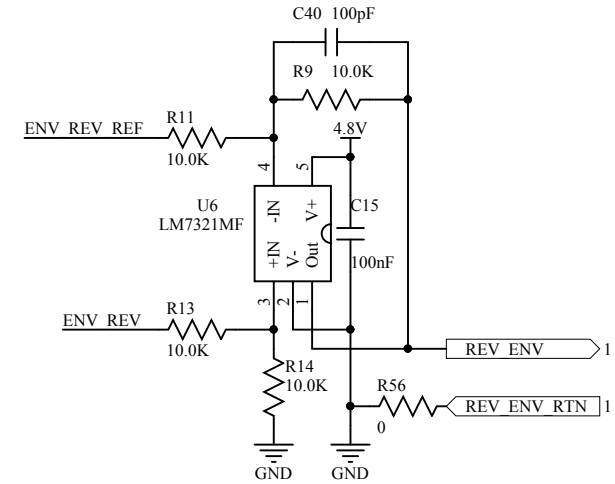
Reflection RMS / Envelope detect



Reflection RMS



Reflection Envelope



Dedicated rf 

TITLE

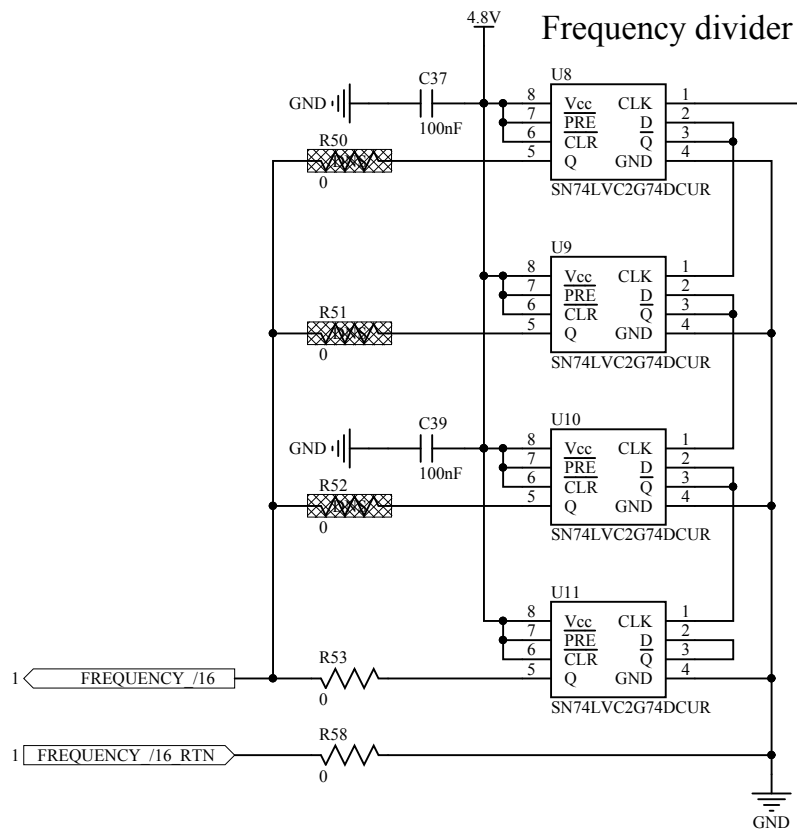
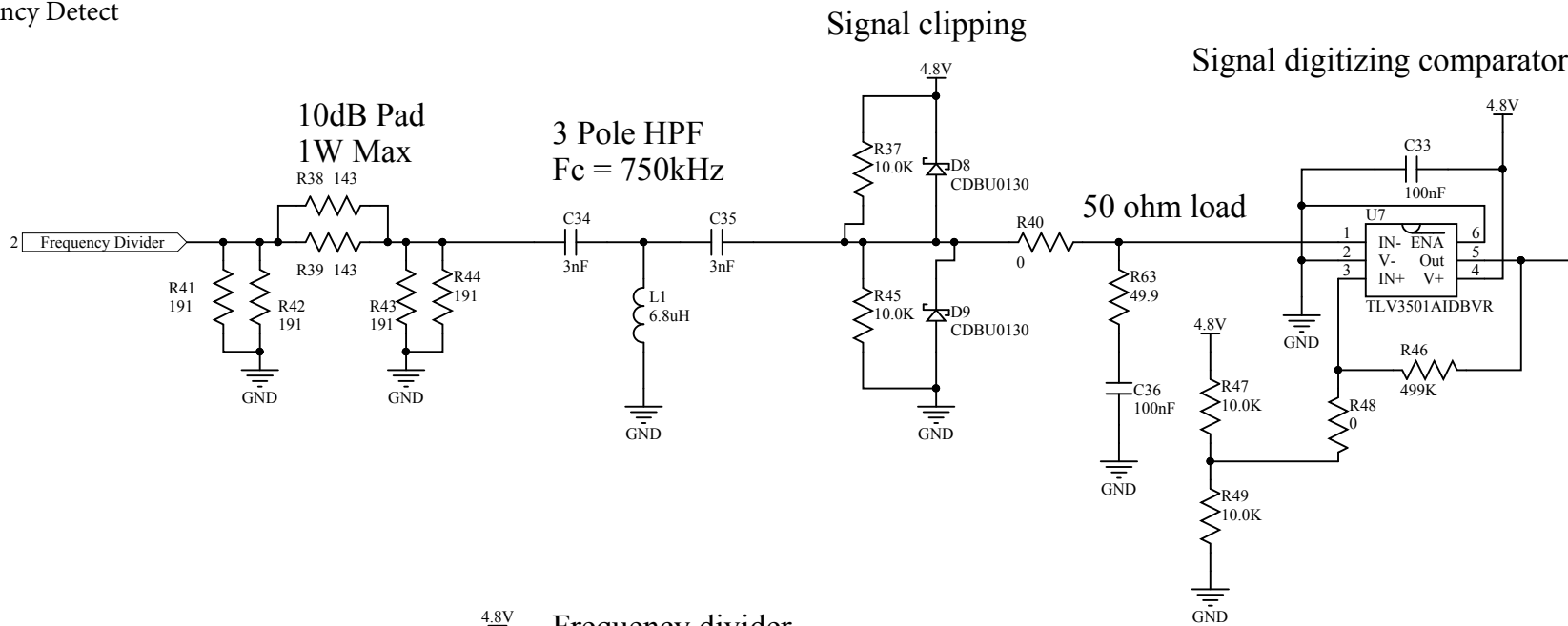
RF\_Amplifier  
RX/TX\_Switch

SIZE  
S

DRAWING REVISION  
V028295\_03

SHEET  
3 OF 4

Frequency Detect



Dedicated rf 

TITLE		
RF_Amplifier RX/TX_Switch		
SIZE S	DRAWING REVISION V028295_03	SHEET 4 OF 4