

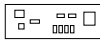
Schematic Contents

Sheet 1 - Title Page

Sheet 2 - Combiner



PCB Line Item in BOM
V028353_03



Design Specific Assy Labor
V028354

DRAWN BY	Bill Sackett
DATE	2015-08-07
RELATED DOCUMENTS	

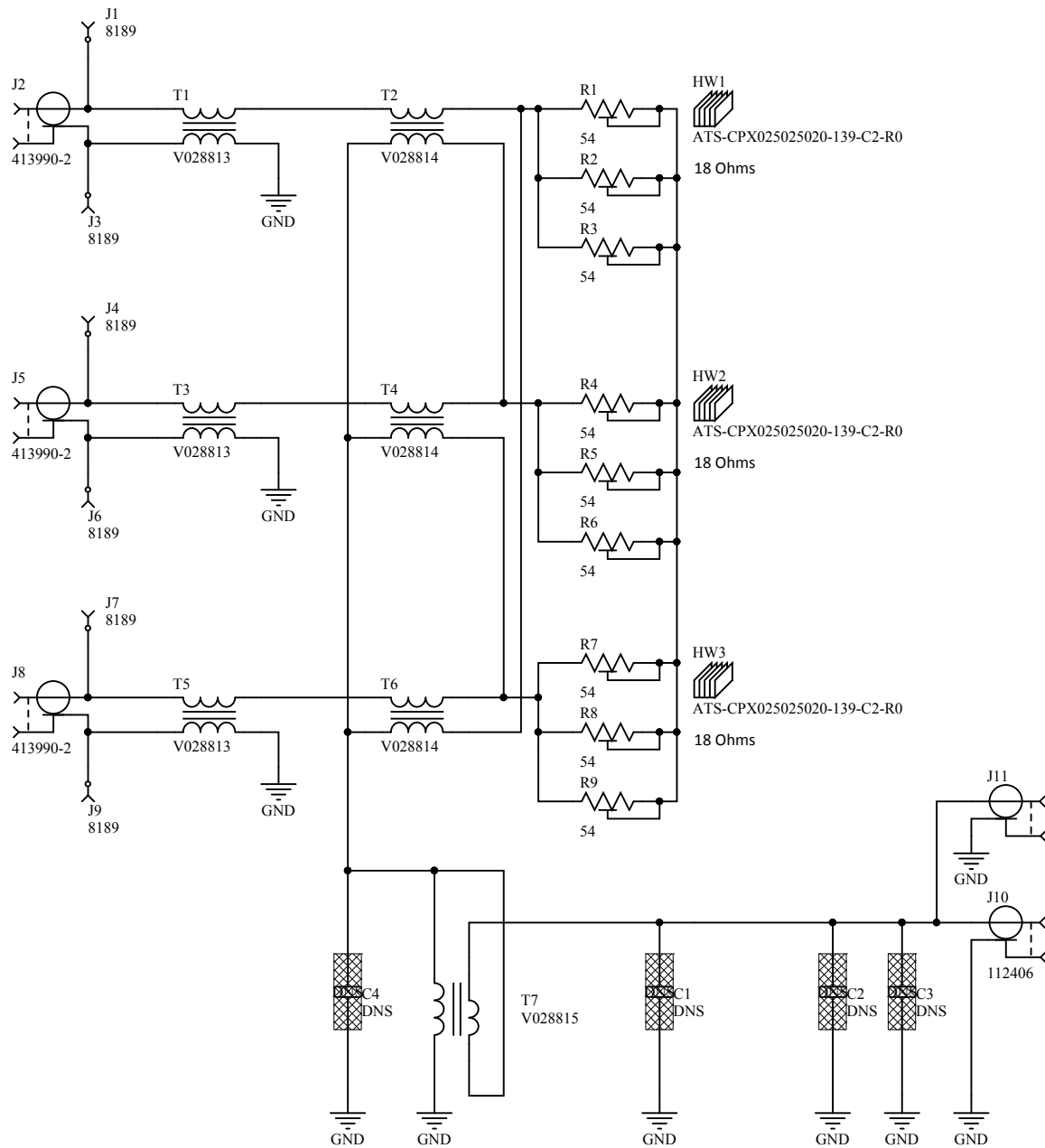
Dedicated rf 

PCB	V028353
BOM	V028351

TITLE
RF_Amplifier
RF_Power_Combiner

PROPRIETARY	SIZE S	DRAWING_REVISION V028352_03	SHEET 1 OF 2
--------------------	-----------	--------------------------------	-----------------

Combiner



Dedicated rf 

TITLE		
RF_Amplifier RF_Power_Combiner		
SIZE S	DRAWING REVISION V028352_03	SHEET 2 OF 2