

COPYRIGHT © 2015 BY DEDICATED RF. ALL RIGHTS RESERVED. PROPRIETARY.

V028348_RF_INPUT_CONDITIONING_TOP.SchDoc

Title Page

Schematic Contents

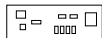
Sheet 1 - Top

Sheet 2 - VDD HV Filter

Sheet 3 - Attenuation / Splitter



PCB, Input Conditioning
V028349_03



Labor, Input Conditioning
V028350

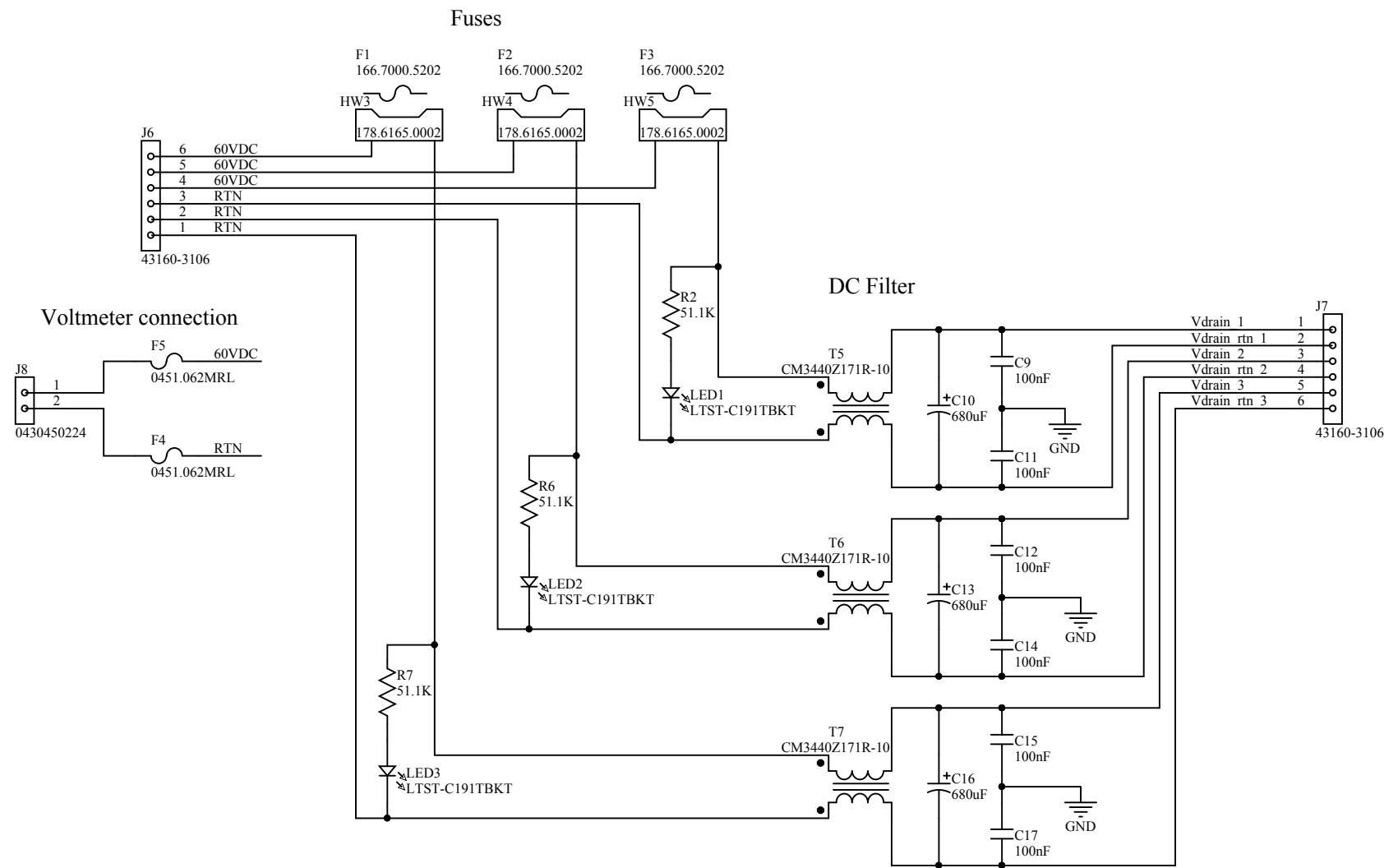
| | |
|-------------------|--------------|
| DRAWN BY | Bill Sackett |
| DATE | 2015-07-21 |
| RELATED DOCUMENTS | |
| PCB | V028349 |
| BOM | V028347 |

Dedicated rf 

| | |
|-------|--|
| TITLE | RF _AMPLIFIER RF _INPUT _CONDITIONING |
|-------|--|

| | | | |
|--------------------|-----------|--------------------------------|-----------------|
| PROPRIETARY | SIZE S | DRAWING_REVISION V028348_03 | SHEET 1 OF 3 |
|--------------------|-----------|--------------------------------|-----------------|

VDD HV Filter

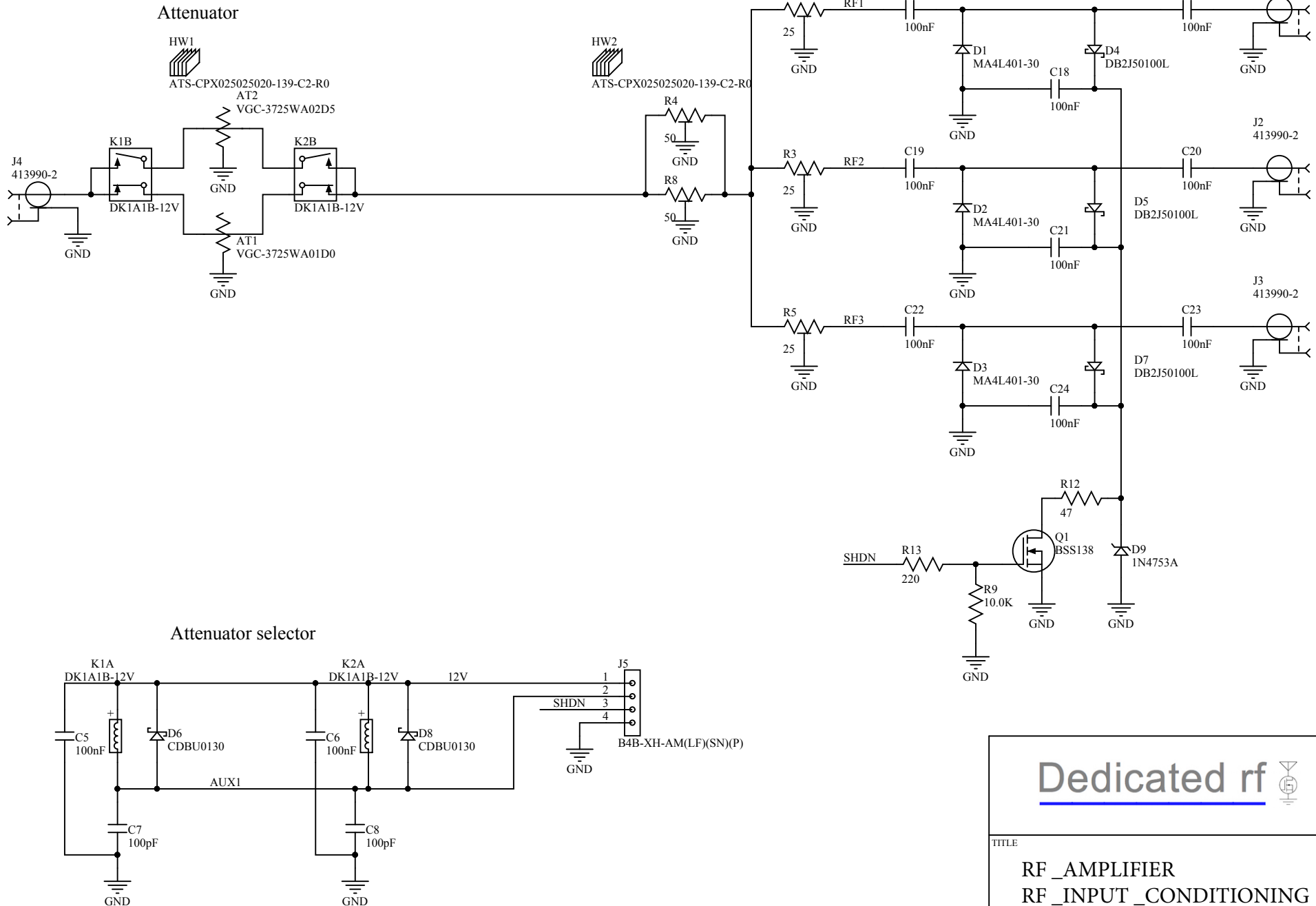


Dedicated rf 

TITLE
 RF_AMPLIFIER
 RF_INPUT_CONDITIONING

| | | |
|-----------|--------------------------------|-----------------|
| SIZE S | DRAWING_REVISION V028348_03 | SHEET 2 OF 3 |
|-----------|--------------------------------|-----------------|

Attenuation / Splitter



Dedicated rf

TITLE
RF_AMPLIFIER
RF_INPUT_CONDITIONING

| | | |
|-----------|--------------------------------|-----------------|
| SIZE S | DRAWING_REVISION V028348_03 | SHEET 3 OF 3 |
|-----------|--------------------------------|-----------------|